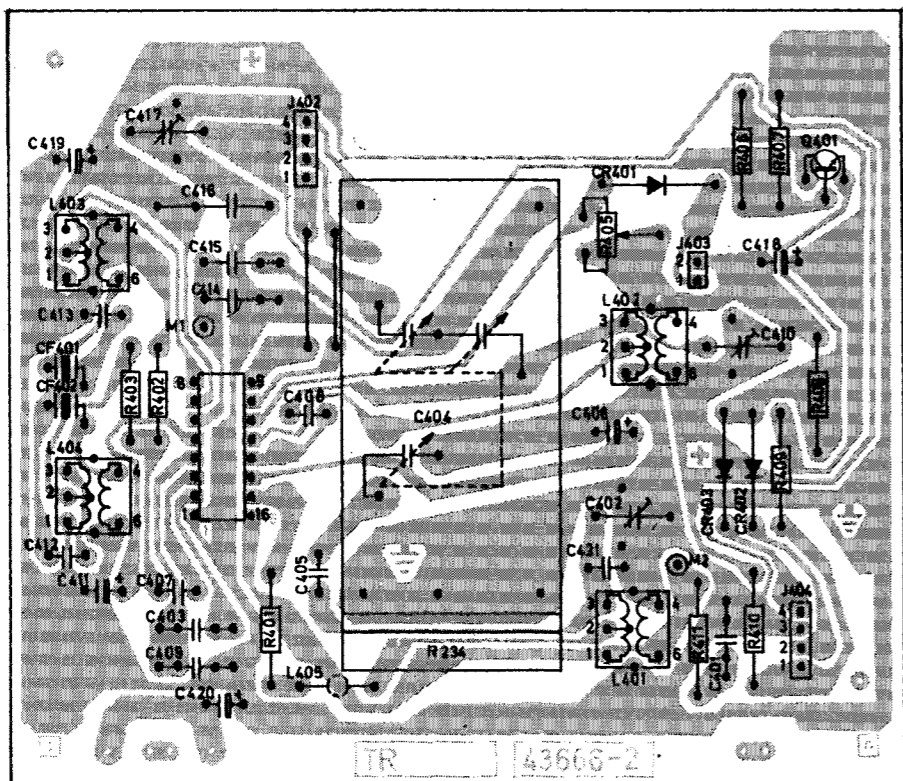


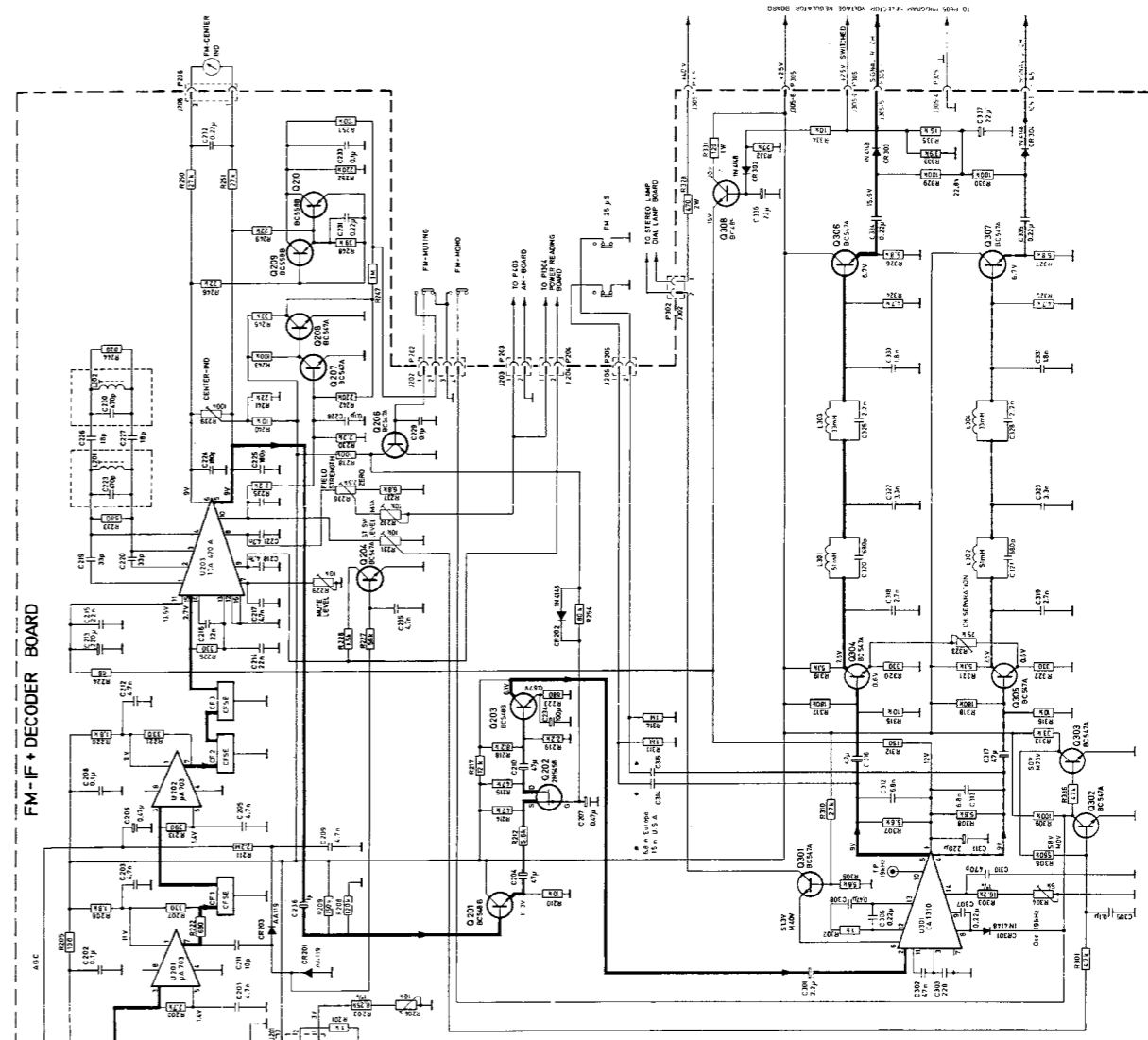
AM-TUNER



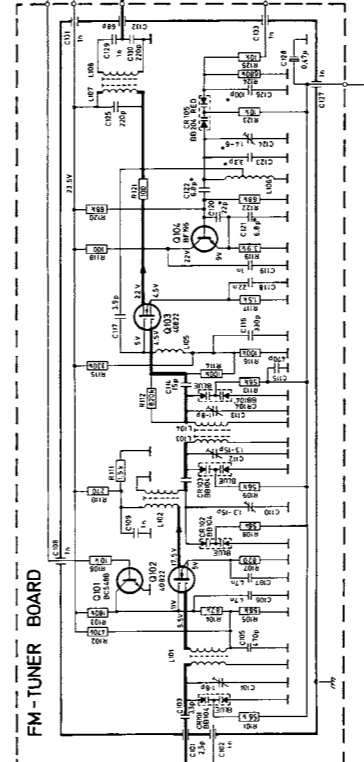
PW-BOARD, AM-TUNER
TL-KORT, AM-TUNER

All PW-boards are seen from the solder side
Alle TL-plater er sett fra loddessiden

FM-IF + DECODER BOARD



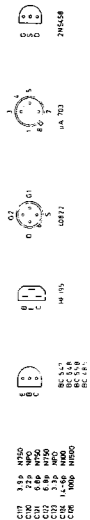
FM-TUNER BOARD



PW-BOARD, FM-IF AND DECODER
TL-KORT, FM-MF OG DEKODER

All PW-boards are seen from the solder side
Alle TL-plater er sett fra loddessiden

FM-TUNER, FM IF AND DECODER
FM-TUNER, FM MF OG DEKODER



ALL TRANSISTORS ARE SEEN FROM UNDERNEATH

